

siyata^{mobile}

SD7

User Guide

ENGLISH | FRANÇAIS | ESPAÑOL



EN	User Guide	1
FR	Mode d'emploi	25
ES	Guía del usuario	49



4G LTE



Rugged, Simple and Highly Functional MCPTT ¹ Device



Dedicated PTT ² button



Comfortable Rotary knob for channel selection



2.5 Watt Loud Speaker ensures excellent sound quality



Qualcomm SDM660 Octa-core ARM Cortex-A53 64-Bit, 1.8GHz



Siyata Customized Android 9.0



Rugged IP68 rated design

* Additional accessories available

¹ Mission Critical Push-to-Talk (MCPTT)

² Push-To-Talk (PTT)

Thank you for purchasing SD7

The SD7 is an LTE rugged device. This powerful device is based on a Qualcomm chipset supporting 4G LTE.

This IP68 device boasts 4G speed, crystal clear cellular call quality via a loud speaker, dedicated PTT and SOS buttons, multifunction rotary knob button and more.

Please read this manual and safety section to ensure safe and pleasant use of the device.

Device warranty is valid for 2 years with an invoice. Siyata accessories (including the inbox accessories) will be 1 year.

Table Of Contents

1	Keys and Connectors.....	7
2	Getting started	9
2.1	Set-up	9
2.2	Power on/Power off the device	10
2.3	Rotary knob	11
2.4	Display	12
2.5	S.O.S button settings	13
2.6	Edit text	14
3	Troubleshooting	14
4	Safety use	16

Box Content

Your purchased SD7 kit includes the following original items:

- SD7 Device
- Battery
- Power adapter
- USB Type-C cable
- User Guide

Note: We have made every effort to ensure that the product arrives complete and in working order. If you discover any problems with this product, please contact the point of sale immediately.

1 Keys and Connectors



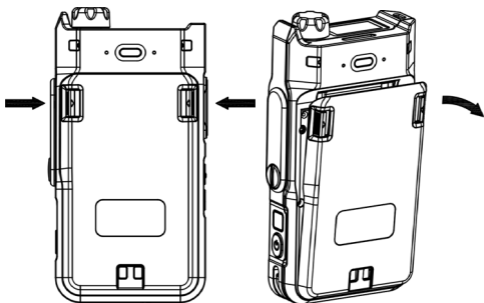


2 Getting started

2.1 Set-up

Removing the battery

Pushing both sides of Battery Latches, pull out the battery.



Inserting and Removing the Nano SIM cards

Power off your device before inserting or removing the SIM cards.

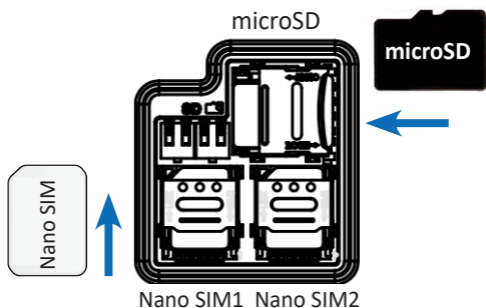
Slide up the SIM tray holder in order to open it and place the SIM cards with the gold contacts facing down. Make sure that it is correctly inserted. Close and lock the sim tray holder over the SIM cards.

To remove the SIM cards, release the tray holders to open and remove the SIMS.

Installing and removing the microSD card

Push the microSD tray holder left to open it and place the card with the gold contacts facing down. Make sure that it is correctly inserted. Close and lock the tray holder over the microSD card.

To remove the card, release the tray holder to open and remove the microSD card.



2.2 Power on / Power off the device

Hold down **Power** key until the device powers on, A vibration feedback will be felt when the device powers on.

Hold down **Power** key until the device options appear on top of the LED screen, Select **Power Off** by pressing down the rotary knob.

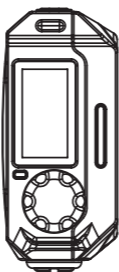
2.3 Rotary knob

The SD7 rotary knob can be used by rotating left and right to select channels or scroll through the menus.

By pressing down the rotary knob it acts as selection and menu.

In addition, the rotary knob can also be used by pressing and rotating at once for additional functions (default is set to volume up and down).

Long press on the rotary knob while in the device menus returns back to the previous menu.



2.4 Display

The SD7 display screen shows basic information and simple device menu display.

Your home screen shows date, time, battery and signal information.

From the home screen, press the rotary knob to enter the device menu and navigate through the menu using the rotary knob.

2.4.1 Display layout

From the status bar you can view the time, battery status, Network and notifications.



- | | |
|---------------------------|----------------|
| ① Bluetooth connectivity | ⑤ Battery icon |
| ② WiFi connectivity | ⑥ Time |
| ③ Network signal and mode | ⑦ Date |
| ④ Battery percentage | |

2.5 S.O.S button settings

To use the SOS button, you must set it for the first time. Go to **Settings > SOS button settings**.

Press **SOS button action** and select an option:

- **PTT navigation**
In this mode the SOS button is assigned to the PTT app (when using app supporting this button).
- **Emergency message**
Set SOS numbers & SMS message content.

If you choose to enter an emergency number, enter the number in the next field.

When necessary, hold the SOS key and the device will ring the number you specified.

2.6 Edit Text

You can edit the text you have entered. Click the text you wish to edit, the selected text will be highlighted in green. Drag the highlighting tab to change the range of your selection. A menu will display the options. Choose one of the options: **Cut, Copy, Share, Select all**.

3 Troubleshooting

Before contacting the service center, you are advised to follow the instructions below:

- Fully charge the battery for optimal operation.
- Avoid storing large amounts of data in your device as this may affect its performance.

Carry out the following checks:

My device is frozen or cannot switch on

- Check the battery contacts, remove and reinstall your battery, then turn your device on
- Check the battery power level, charge for at least 20 minutes

My device has not responded for several minutes

- Restart your device by pressing and holding the Power key
- Remove the battery and re-insert it, then restart the device

My device cannot charge properly

- Make sure you are using the battery and the charger from the box
- Make sure your battery is inserted properly and clean the battery contact if it's dirty. It must be inserted before plugging in the charger
- Make sure that your battery is not completely discharged; if the battery power is empty for a long time, it may take around 20 minutes to display the battery charger indicator on the screen
- Make sure charging is carried out under normal conditions (0°C to +40°C)

- When abroad, check that the voltage input is compatible

My device cannot connect to a network

- Try connecting in another location
- Verify the network coverage with your operator
- Check with your operator that your SIM card is valid
- Try connecting at a later time if the network is overloaded

Invalid SIM card

- Make sure the SIM card has been correctly inserted
- Make sure the chip on your SIM card is not damaged or scratched
- Make sure the service of your SIM card is available

I am unable to use the features described in the manual

- Check with your operator to make sure that your subscription includes this service
- Make sure this feature does not require an accessory

How to make your battery last longer

- Make sure you follow the complete charge time (minimum 3 hours)
- After a partial charge, the battery level indicator may not be exact. Wait for at least 20 minutes after removing the charger to obtain an exact indication
- Deactivate Bluetooth, Wi-Fi, or GPS when not in use

4 Safety use

We recommend that you read this chapter carefully before using your device. The manufacturer disclaims any liability for damage, which may result as a consequence of improper use or use contrary to the instructions contained herein.

Traffic Safety

Given that studies show that using a mobile device while driving a vehicle constitutes a real risk, even when the hands-free kit is used (car kit, headset...), drivers are requested to refrain from using their mobile when the vehicle is not parked.

When driving, do not use your device and headdevice to listen to music or to the radio. Using a headdevice can be dangerous and forbidden in some areas.

When switched on, your device emits electromagnetic waves that can interfere with the vehicle's electronic systems such as ABS anti-lock brakes or airbags. To ensure that there is no problem:

- Do not place your device on top of the dashboard or within an airbag deployment area.
- Check with your car dealer or the car manufacturer to make sure that the dashboard is adequately shielded from mobile device RF energy.

Conditions of Use

You are advised to switch off the device from time to time to optimize its performance.

Switch the device off before boarding an aircraft.

Switch the device off when you are in healthcare facilities, except in designated areas. As with many other types of equipment now in regular use, mobile devices can interfere with other electrical or electronic devices, or equipment using radio frequencies.

Switch the device off when you are near gas or flammable liquids. Strictly obey all signs and instructions posted in a fuel depot, petrol station, or chemical plant, or in any potentially explosive atmosphere.

When the device is switched on, it should be kept at least 15 cm from any medical device such as a pacemaker, a hearing aid or insulin pump, etc.

Do not let children use the device and/or play with the device and accessories without supervision.

When replacing the cover please note that your device may contain substances that could create an allergic reaction.

Always handle your device with care and keep it in a clean and dust free place.

Do not allow your device to be exposed to adverse weather or environmental conditions (moisture, humidity, rain, infiltration of liquids, dust, sea air, etc). The manufacturer's recommended operating temperature range is -20°C to $+60^{\circ}\text{C}$, humidity 20%-90%.

At over 60°C the legibility of the device's display may be impaired, though this is temporary and not serious.

Emergency call numbers may not be reachable on all cellular networks. You should never rely only on your device for emergency calls.

Do not open, dismantle or attempt to repair your mobile device yourself.

Do not drop, throw or bend your mobile device.

Do not use the device if the glass made screen, is damaged, cracked or broken to avoid any injury.

Do not paint it.

Use only batteries, battery chargers, and accessories which are recommended with your device model. Remember to make back-up copies or keep a written record of all important information stored in your device.

Some people may suffer epileptic seizures or blackouts when exposed to flashing lights, or when playing video games. These seizures or blackouts may occur even if a person never had a previous seizure or blackout. If you have experienced seizures or blackouts, or if you have a family history of such occurrences, please consult your doctor before playing video games on your device or enabling a flashing-lights feature on your device.

Parents should monitor their children's use of video games or other features that incorporate flashing lights on the devices. All persons should discontinue use and consult a doctor if any of the following symptoms occur: convulsion, eye or muscle twitching, loss of awareness, involuntary movements, or disorientation. To limit the likelihood of such symptoms, please take the following safety precautions:

- Do not play or use a flashing-lights feature if you are tired or need sleep.
- Take a minimum of a 15-minute break hourly.

Safety instructions for Lithium batteries

Warning!

Improper battery replacement may cause an explosion. Replace the battery only with a similar or equivalent battery. Before extracting the battery from the device, make sure that it is turned off. Follow these instructions:

- Do not attempt to open the battery (due to the risk of toxic fumes and burns).
- Do not puncture, disassemble or cause a short-circuit in a battery.
- Do not burn or dispose of a used battery in household rubbish or store it at temperatures above 60°C.
- Do not expose the battery or its case to strong heat sources such as: Light, sun, fire, etc.

Batteries must be disposed of in accordance with locally applicable environmental regulations. Only use the battery for the purpose for which it was designed. Never use damaged batteries.

This symbol on your device, the battery and the accessories means that these products must be taken to collection points at the end of their life:

- Municipal waste disposal centers with specific bins for these items of equipment
- Collection bins at points of sale.

They will then be recycled, preventing substances being disposed of in the environment, so that their components can be reused.

In European Union countries:

These collection points are accessible free of charge.

All products with this sign must be brought to these collection points.

In non-European Union jurisdictions:

Items of equipment with this symbol are not to be thrown into ordinary bins if your jurisdiction or your region has suitable recycling and collection facilities; instead they are to be taken to collection points for them to be recycled.

CAUTION: RISK OF EXPLOSION IF BATTERY IS REPLACED BY AN INCORRECT TYPE. DISPOSE OF USED BATTERIES ACCORDING TO THE INSTRUCTIONS.

Charger safety instructions

- The equipment shall be connected to a nearby and easily accessible socket outlet.
- Prevent penetration of water or humidity.
- Keep away from extreme temperatures such as radiators, heaters or places exposed to direct sunlight.
- Keep away from burning candles, cigarettes and cigars, do not expose to open fire, etc.
- Protect charger from falling objects or splashes of liquid, including acids.
- Make sure that the voltage level of your power source is compatible with that marked on the charger.
- In order to decrease the risk of damage to the electric cable, do not disconnect the charger from the socket by pulling the cable. Grip the charger itself and pull it out of the socket.
- Make sure the cable is routed in such a way as to avoid the risk of someone stepping on it or falling over it.
- Warning: Never replace the cable or the plug with non-original parts. A defective connection creates a risk of electrocution.
- When using an extension cable, make sure that the extension conductor is not defective.
- Intended for internal use only. Do not expose to sun, rain, etc.
- Make sure to maintain the detachable device on and ready to use.

Protection against theft

Your device is identified by an IMEI (device serial number) shown on the packaging label and in the device's memory. We recommend that you note the number the first time you use your device and keep it in a safe place. It may be requested by the police or your operator if your device is stolen. This number allows your mobile device to be blocked preventing a third person from using it, even with a different SIM card.

Disclaimer

There may be certain differences between the user manual description and the device's operation, depending on the software release of your device or specific operator services.

Warning: The manufacturer disclaims any liability for damage, which may result as a consequence of improper use of this mobile device or use contrary to the instructions contained in this manual.



4G LTE



Appareil MCPTT ¹ robuste, simple et hautement fonctionnel



Bouton PTT ² dédié



Bouton rotatoire confortable pour sélection du canal



Haut-parleur 2,5 watts assure une excellente qualité sonore



Qualcomm SDM660 Octa-core ARM Cortex-A53 64-Bit, 1,8GHz



Siyata personnalisé Android 9.0



Conception robuste de norme IP68

* Autres accessoires disponibles

¹ Chat vocal critique
(Mission Critical Push-to-Talk - MCPTT)

² Chat vocal (Push-To-Talk - PTT)

Merci d'avoir acquis le SD7

Le SD7 est un appareil LTE robuste. Cet appareil puissant est fondé sur un ensemble de puces Qualcomm qui supportent le 4G LTE.

Cet appareil IP68 assure une qualité d'appel cellulaire limpide, à vitesse 4G, par le biais d'un haut-parleur, de boutons PTT et SOS dédiés, d'un bouton rotatoire multifonctions, etc.

Veillez lire ce mode d'emploi et le chapitre sur la sûreté pour garantir un usage sûr et agréable de l'appareil.

La garantie de l'appareil est valable pendant 2 ans avec une facture. Accessoires Siyata (y compris accessoires du boîtier) - pendant 1 an.

Table des matières

1	Touches et connecteurs	29
2	Démarrage.....	30
2.1	Assemblage	31
2.2	Mise en service / hors service de l'appareil ..	32
2.3	Bouton rotatoire.....	33
2.4	Écran	34
2.5	Réglages du bouton S.O.S.....	35
2.6	Modifier le texte	35
3	Dépannage	36
4	Utilisation en toute sécurité.....	39

Contenu de l'emballage

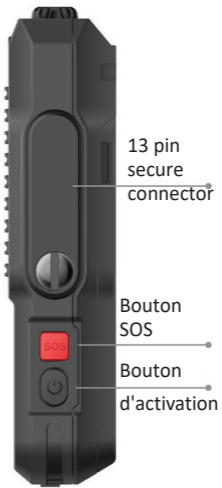
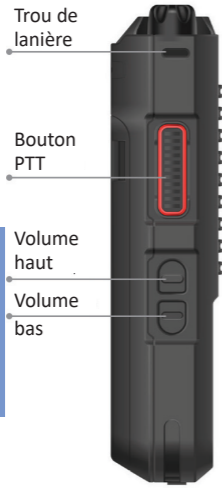
Le kit SD7 que vous avez acquis comporte les éléments d'origine suivants :

- Appareil SD7
- Batterie
- Adaptateur de courant
- Câble USB Type-C
- Mode d'emploi

Remarque : Nous avons fait tous les efforts pour garantir que le produit vous parvienne étant complet et en bon état de fonctionnement. Si vous décelez des problèmes dans le produit, veuillez immédiatement contacter le point de vente.

1 Touches et connecteurs



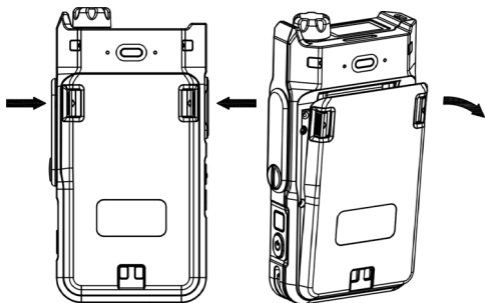


2 Démarrage

2.1 Assemblage

Retrait de la batterie

En poussant les deux côtés des verrous de batterie, retirez la batterie.



Insertion et retrait des cartes Nano SIM

Éteignez votre appareil avant d'introduire ou de retirer les cartes SIM.

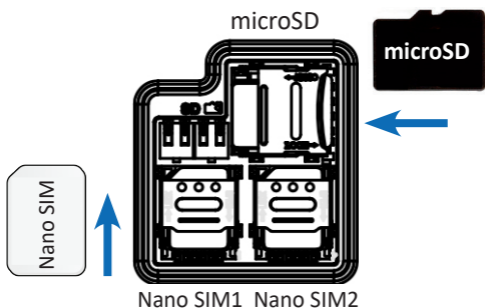
Faites glisser le support de plateau SIM pour l'ouvrir et placez les cartes SIM, les contacts dorés donnant vers le bas. Assurez-vous qu'elle soit bien introduite. Fermez et verrouillez le support de plateau SIM sur les cartes SIM.

Pour retirer les cartes SIM, libérez les supports de plateau pour ouvrir et retirer les SIMs.

Installation et retrait de la carte microSD

Poussez le support de plateau microSD pour l'ouvrir et placez la carte, les contacts dorés donnant vers le bas. Assurez-vous qu'elle soit bien introduite. Fermez et verrouillez le support de plateau sur la carte microSD.

Pour retirer la carte, libérez le support de plateau pour ouvrir et retirer la carte microSD.



2.2 Mise en service / hors service de l'appareil

Retenez la touche **Power** enfoncée jusqu'à ce que l'appareil s'allume ; vous ressentirez une vibration lorsqu'il s'allumera.

Retenez la touche **Power** enfoncée jusqu'à ce que les options de l'appareil apparaissent en haut de l'écran LED ; sélectionnez **Éteindre** en appuyant sur le bouton rotatoire.

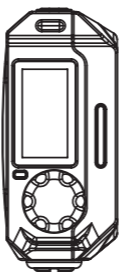
2.3 Bouton rotatoire

Le bouton rotatoire du SD7 peut être utilisé le faisant tourner à gauche ou à droite pour sélectionner les canaux ou faire défiler les menus.

En appuyant sur le bouton rotatoire, il permet de sélectionner et d'afficher le menu.

En outre, le bouton rotatoire peut aussi être utilisé en appuyant et en le faisant tourner en même temps pour obtenir des fonctions additionnelles (le défaut étant volume haut et bas).

Une pression prolongée sur le bouton rotatoire depuis les menus de l'appareil revient au précédent menu.



2.4 Écran

L'écran d'affichage du SD7 présente des informations basiques et un affichage simple du menu de l'appareil.

Votre écran d'accueil montre la date, l'heure, l'état de la batterie et du signal.

Pour aller au menu d'accueil, appuyez sur le bouton rotatoire pour aller au menu de l'appareil et naviguer dedans à l'aide du bouton rotatoire.

2.4.1 Disposition de l'écran

À partir de la barre d'état vous pouvez afficher l'heure, l'état de la batterie, le réseau et les notifications.



- | | | | |
|---|--------------------------|---|-------|
| ❶ | Connectivité Bluetooth | ❹ | Heure |
| ❷ | Connectivité WiFi | ❺ | Date |
| ❸ | Signal et mode de réseau | | |
| ❹ | Pourcentage de batterie | | |
| ❺ | Icône de batterie | | |

2.5 Réglages du bouton S.O.S

Pour utiliser le bouton SOS, vous devez le régler une première fois. Allez sur **Paramètres > SOS button settings**.

Appuyez sur **SOS button action** et sélectionnez une option :

- **PTT navigation**

Dans ce mode le bouton SOS est attribué à l'application PTT (en utilisant l'appli qui supporte ce bouton).

- **Emergency message**

Définissez les numéros SOS et le contenu des messages SMS.

Si vous choisissez de saisir un numéro d'urgence, saisissez-le dans le champ qui suit.

Lorsque nécessaire, tenez enfoncée la touche SOS et l'appareil appellera le numéro que vous avez saisi.

2.6 Modifier le texte

Vous pouvez modifier le texte que vous avez saisi. Cliquez sur le texte que vous souhaitez modifier, le texte sélectionné sera mis en relief en vert. Faites glisser l'onglet de mise en relief pour changer la gamme de votre sélection. Un menu affichera les options. Choisissez une des options : **Couper, Copier, Partager, Tout sélectionner**.

3 Dépannage

Avant de contacter le centre de service, il vous est conseillé de suivre les instructions ci-dessous :

- Chargez entièrement la batterie pour un fonctionnement optimal.
- Évitez de stocker de grandes quantités de données sur votre appareil car la chose risque d'affecter ses performances.

Effectuez les vérifications suivantes :

Mon appareil est gelé ou ne peut être mis en service

- Vérifiez les contacts de la batterie, retirez et réinstallez votre batterie, puis mettez-le en service
- Vérifiez le niveau de courant de la batterie, chargez pendant au moins 20 minutes

Mon appareil n'a pas répondu pendant quelques minutes

- Redémarrez votre appareil en appuyant et en tenant la touche Power enfoncée
- Redémarrez la batterie et réintroduisez-la, puis redémarrez l'appareil

Mon appareil ne se charge pas correctement

- Assurez-vous que vous utilisez la batterie et le chargeur de l'emballage
- Assurez-vous que votre batterie soit bien introduite et nettoyez le contact de batterie s'il est sale. Elle doit être introduite avant de brancher le chargeur

- Assurez-vous que votre batterie ne soit pas entièrement déchargée ; si la batterie est vide pendant longtemps, il peut falloir 20 minutes pour afficher l'indicateur de chargeur de batterie à l'écran
- Assurez-vous que le chargement soit effectué dans des conditions normales (0°C à +40°C)
- A l'étranger, assurez-vous que la tension d'entrée soit compatible

Mon appareil ne peut se connecter au réseau

- Tentez de vous connecter dans un autre lieu
- Vérifiez la couverture de réseau auprès de votre opérateur
- Vérifiez auprès de votre opérateur que votre carte SIM est valable
- Tentez de vous connecter plus tard si le réseau est surchargé

Carte SIM non valable

- Assurez-vous que la carte SIM a bien été introduite
- Assurez-vous que la puce de votre carte SIM n'est ni endommagée ni rayée
- Assurez-vous que le service de votre carte SIM est disponible

Je ne peux utiliser les caractéristiques décrites dans le mode d'emploi

- Vérifiez auprès de l'opérateur pour vous assurer que votre abonnement comprend ce service

- Assurez-vous que cette caractéristique ne nécessite pas d'accessoire

Comment faire pour que votre batterie dure plus longtemps

- Assurez-vous de bien respecter tout le temps de chargement (3 heures minimum)
- Après un chargement partiel, l'indicateur de niveau de batterie peut ne pas être précis. Patientez au moins 20 minutes après avoir retiré le chargeur pour obtenir une indication précise
- Désactivez Bluetooth, Wi-Fi ou GPS lorsqu'ils ne sont pas utilisés

4 Utilisation en toute sécurité

Nous vous suggérons de lire attentivement ce chapitre avant d'utiliser votre appareil. Le fabricant décline toute responsabilité pour les dommages pouvant résulter d'une mauvaise utilisation ou d'une utilisation contraire aux instructions contenues dans ce document.

Sécurité routière

Étant donné que des études montrent que l'utilisation d'un appareil mobile au volant d'un véhicule constitue un risque réel, même lorsque le kit mains libres est utilisé (kit voiture, casque...), il est demandé aux conducteurs de s'abstenir d'utiliser leur appareil mobile lorsque le véhicule est pas garé.

Lorsque vous conduisez, n'utilisez pas votre appareil et votre casque pour écouter de la musique ou la radio. L'utilisation d'un casque peut être dangereuse et interdite dans certaines zones.

Lorsqu'il est allumé, votre appareil émet des ondes électromagnétiques qui peuvent interférer avec les systèmes électroniques du véhicule tels que les freins antiblocage ABS ou les airbags. Pour s'assurer qu'il n'y a pas de problème :

- Ne placez pas votre appareil sur le tableau de bord ou dans la zone de déploiement de

l'airbag.

- Vérifiez auprès de votre concessionnaire automobile ou du constructeur automobile que le tableau de bord est correctement protégé contre l'énergie RF des appareils mobiles.

Conditions d'utilisation

Il est conseillé d'éteindre l'appareil de temps en temps pour optimiser ses performances.

Éteignez l'appareil avant de monter à bord d'un avion.

Éteignez l'appareil lorsque vous vous trouvez dans des établissements de santé, sauf dans les zones désignées. Comme pour de nombreux autres types d'équipements utilisés régulièrement, les appareils mobiles peuvent interférer avec d'autres appareils électriques ou électroniques, ou avec des équipements utilisant des fréquences radio.

Éteignez l'appareil lorsque vous vous trouvez à proximité de gaz ou de liquides inflammables.

Respectez strictement tous les panneaux et instructions affichés dans un dépôt de carburant, une station-service ou une usine chimique, ou dans toute atmosphère potentiellement explosive.

Lorsque l'appareil est allumé, il doit être maintenu à au moins 15 cm de tout appareil

médical tel qu'un stimulateur cardiaque, une prothèse auditive ou une pompe à insuline, etc. Ne laissez pas les enfants utiliser l'appareil et/ou jouer avec l'appareil et ses accessoires sans surveillance.

Lors du remplacement du couvercle, veuillez noter que votre appareil peut contenir des substances susceptibles de créer une réaction allergique.

Manipulez toujours votre appareil avec soin et conservez-le dans un endroit propre et sans poussière.

N'exposez pas votre appareil à des conditions météorologiques ou environnementales défavorables (buée, humidité, pluie, infiltration de liquides, poussière, air marin, etc.). La plage de température de fonctionnement recommandée par le fabricant est de -20°C à $+60^{\circ}\text{C}$, humidité de 20 à 90%.

A plus de 60°C , la lisibilité de l'affichage de l'appareil peut être altérée, bien que cela soit temporaire et sans gravité.

Les numéros d'urgence peuvent ne pas être accessibles sur tous les réseaux cellulaires. Ne comptez jamais que sur votre appareil pour les appels d'urgence.

N'ouvrez pas, ne démontez pas et n'essayez pas de réparer vous-même votre appareil mobile.

Ne laissez pas tomber, ne jetez pas et ne pliez pas votre appareil mobile.

N'utilisez pas l'appareil si l'écran en verre est endommagé, fissuré ou cassé pour éviter toute blessure.

Ne le peignez pas.

N'utilisez que des batteries, des chargeurs de batterie et des accessoires recommandés pour le modèle de votre appareil. N'oubliez pas de faire des copies de sauvegarde ou de conserver une trace écrite de toutes les informations importantes stockées dans votre appareil.

Certaines personnes peuvent souffrir de crises d'épilepsie ou d'évanouissements lorsqu'elles sont exposées à des lumières clignotantes ou lorsqu'elles jouent à des jeux vidéo. Ces crises ou évanouissements peuvent survenir même si une personne n'a jamais eu de crise ou d'évanouissement. Si vous avez eu des crises ou des évanouissements, ou si vous avez des antécédents familiaux de tels événements, veuillez consulter votre médecin avant de jouer à des jeux vidéo sur votre appareil ou d'activer une fonction de lumières clignotantes sur votre appareil.

Les parents doivent surveiller l'utilisation par leurs enfants des jeux vidéo ou d'autres fonctionnalités qui intègrent des lumières clignotantes sur les appareils. Toute personne

doit cesser l'utilisation et consulter un médecin si l'un des symptômes suivants apparaît : convulsions, contractions oculaires ou musculaires, perte de conscience, mouvements involontaires ou désorientation. Pour limiter la probabilité de tels symptômes, prenez les précautions de sécurité suivantes :

- Ne jouez pas et n'utilisez pas de fonction d'éclairage clignotant si vous êtes fatigué ou avez besoin de dormir.
- Faites au moins 15 minutes de pause par heure.

Consignes de sécurité pour les batteries au lithium

Avertissement!

Le remplacement incorrect de la batterie peut provoquer une explosion. Remplacez la batterie uniquement par une batterie similaire ou équivalente. Avant de retirer la batterie de l'appareil, assurez-vous qu'il soit éteint.

Respectez ces instructions :

- Ne tentez pas d'ouvrir la batterie (en raison du risque de fumées toxiques et de brûlures).
- Ne pas percer, démonter ou provoquer un court-circuit dans une batterie.
- Ne brûlez pas ou ne jetez pas une batterie usagée dans les ordures ménagères et ne la stockez pas à des températures supérieures à 60°C.
- N'exposez pas la batterie ou son boîtier à de fortes sources de chaleur telles que : lumière, soleil, feu, etc.

Les batteries doivent être mises au rebut conformément aux réglementations environnementales locales en vigueur. N'utilisez la batterie que pour l'usage pour lequel elle a été conçue. N'utilisez jamais de batteries endommagées.

Ce symbole sur votre appareil, la batterie et les accessoires signifient que ces produits doivent être apportés aux points de collecte suivants en

fin de vie :

- Déchetteries municipales avec poubelles spécifiques pour ces équipements
- Bacs de collecte aux points de vente.

Ils seront ensuite recyclés, pour ainsi éviter le rejet de substances dans l'environnement, afin que leurs composants puissent être réutilisés.

Dans les états de l'UE :

Ces points de collecte sont gratuitement accessibles.

Tous les produits portant ce signe doivent être apportés à ces points de collecte.

Dans les états ne faisant pas partie de l'UE :

Les articles d'équipement portant ce symbole ne doivent pas être jetés dans des poubelles ordinaires si votre juridiction ou votre région dispose d'installations de recyclage et de collecte appropriées ; ils doivent plutôt être emmenés à des points de collecte pour être recyclés.

PRECAUTION : RISQUE D'EXPLOSION SI LA BATTERIE EST REMPLACÉE PAR UN TYPE INCORRECT DE BATTERIE. ÉLIMINEZ LES BATTERIES USAGÉES CONFORMÉMENT AUX INSTRUCTIONS.

Consignes de sécurité relatives au chargeur

- L'équipement doit être connecté à une prise de courant proche qui est facilement accessible.
- Empêchez la pénétration d'eau ou d'humidité.
- Tenez-le à l'écart des températures extrêmes telles que les radiateurs, les appareils de chauffage ou les endroits exposés à la lumière directe du soleil.
- Tenez-le à l'écart des bougies allumées, des cigarettes et des cigares, ne pas l'exposer au feu, etc.
- Protégez le chargeur des chutes d'objets ou des éclaboussures de liquide, y compris les acides.
- Assurez-vous que le niveau de tension de votre source d'alimentation soit compatible avec celui indiqué sur le chargeur
- Pour réduire le risque d'endommager le câble électrique, ne débranchez pas le chargeur de la prise en tirant sur le câble. Tenez bien le chargeur et retirez-le de la prise.
- Assurez-vous que le câble soit acheminé de manière à éviter le risque que quelqu'un marche dessus ou tombe dessus.
- Avertissement : Ne remplacez jamais le câble ou la fiche par des pièces non originales. Une connexion défectueuse crée un risque

d'électrocution.

- Lorsque vous utilisez une rallonge, assurez-vous que la rallonge ne soit pas défectueuse.
- Destiné à un usage en intérieur uniquement. Ne pas exposer au soleil, à la pluie, etc.
- Assurez-vous de maintenir l'appareil amovible allumé et prêt à l'emploi.

Protection contre le vol

Votre appareil est identifié par un IMEI (numéro de série de l'appareil) indiqué sur l'étiquette de l'emballage et dans la mémoire de l'appareil.

Nous vous recommandons de noter le numéro la première fois que vous utilisez votre appareil et de le conserver dans un lieu sûr. La police ou votre opérateur pourrait vous le demander en cas de vol de votre appareil. Ce numéro permet de bloquer votre appareil mobile pour empêcher un tiers de l'utiliser, même avec une carte SIM différente.

Déni de responsabilité

Il peut y avoir certaines différences entre la description du mode d'emploi et le fonctionnement de l'appareil, en fonction de la version du logiciel de votre appareil ou des services spécifiques de l'opérateur.

Avertissement : Le fabricant décline toute responsabilité pour les dommages pouvant résulter d'une mauvaise utilisation ou d'une utilisation contraire aux instructions contenues dans ce mode d'emploi.



4G LTE



Dispositivo MCPTT ¹ robusto, sencillo y de gran funcionalidad



Botón PTT ² dedicado



Cómoda perilla giratoria de selección de canales



Altavoz de 2,5 vatios que garantiza una excelente calidad de sonido



Qualcomm SDM660 Octa-core ARM Cortex-A53 64-bit, 1,8GHz



Android 9.0 personalizado por Siyata



Diseño robusto con calificación IP68

* Accesorios adicionales disponibles

¹ Pulsar para hablar para misiones misión críticas (Mission Critical Push-to-Talk - MCPTT)

² Pulsar para hablar (Push-To-Talk - PTT)

Gracias por comprar el SD7

El SD7 es un dispositivo LTE robusto. Este potente dispositivo se basa en un chipset Qualcomm compatible con 4G LTE.

Este dispositivo IP68 ofrece velocidad 4G, calidad de llamada celular con claridad cristalina por altavoz, botones PTT y SOS dedicados, perilla de mando giratoria multifunción y mucho más.

Lea este manual y la sección sobre seguridad para garantizar un uso seguro y agradable del dispositivo.

La garantía del dispositivo es válida por 2 años con una factura. Para los accesorios Siyata (incluidos los que vienen en la caja) es válida por 1 año.

Índice

1	Teclas y conectores	53
2	Para comenzar	55
2.1	Configuración	55
2.2	Encender / apagar el dispositivo	56
2.3	Perilla	57
2.4	Pantalla	58
2.5	Configuración del botón S.O.S	59
2.6	Editar texto	59
3	Resolución de problemas.....	60
4	Seguridad en el uso	63

Contenido de la caja

El kit SD7 que adquirió incluye los siguientes artículos originales:

- Dispositivo SD7
- Batería
- Adaptador de alimentación
- Cable USB tipo C
- Guía del usuario

Nota: Hemos hecho todo lo posible para asegurar que el producto llegue completo y en buen estado de funcionamiento, Si descubre algún problema en este producto, póngase inmediatamente en contacto con el punto de venta.

1 Teclas y conectores



Agujero para el cordón

Botón PTT

Subir volumen

Bajar volumen

13 pin secure connector

Botón SOS

Botón de encendido

Linterna

Batería reemplazable

Pines de carga de escritorio

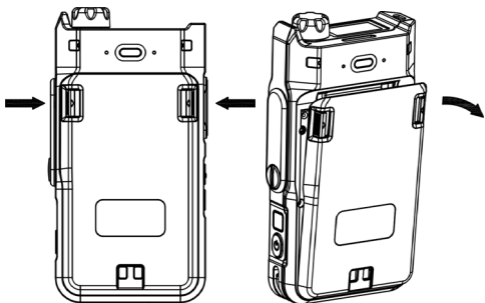
siyata

2 Para comenzar

2.1 Configuración

Extracción de la batería

Empuje ambos lados de los retenes de la batería y extraígalas.



Inserción y extracción de las tarjetas Nano SIM

Apague el dispositivo antes de insertar o extraer las tarjetas SIM.

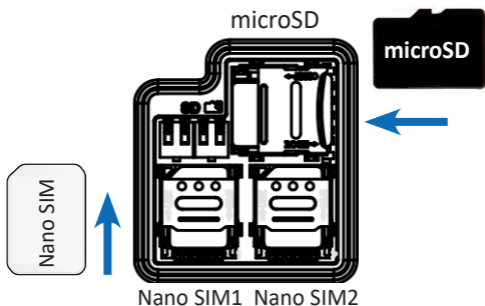
Deslice el soporte de la bandeja para SIM hacia arriba para abrirlo y coloque las tarjetas SIM con los contactos dorados hacia abajo. Asegúrese de que esté insertado correctamente. Cierre y trabe el soporte de la bandeja para SIM por encima de las tarjetas SIM.

Para extraer las tarjetas SIM, libere los soportes de la bandeja para abrirla y extraer LOS SIMS.

Instalación y extracción de la tarjeta microSD

Empuje el soporte de la bandeja para el microSD hacia la izquierda para abrirla y coloque la tarjeta con los contactos de oro hacia abajo. Asegúrese de que esté insertada correctamente. Cierre y traba el soporte de la bandeja por encima de la tarjeta microSD.

Para extraer la tarjeta, libere el soporte de la bandeja para abrirla y extraer la tarjeta microSD.



2.2 Encender / apagar el dispositivo

Mantenga pulsada la **Tecla de encendido** hasta que el dispositivo se encienda. Se percibirá una vibración cuando se encienda el dispositivo.

Mantenga pulsada la **Tecla de encendido** hasta que aparezcan las opciones del dispositivo en la parte superior de la pantalla LED y seleccione **Apagar** pulsando la perilla.

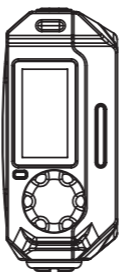
2.3 Perilla

La perilla del SD7 se puede utilizar girando a la izquierda y a la derecha para seleccionar canales o desplazarse por los menús.

Pulsar la perilla actúa como selección y menú.

Además, la perilla también se puede utilizar pulsando y girando simultáneamente para acceder a funciones adicionales (la opción predeterminada es subir y bajar el volumen).

Una pulsación larga en la perilla mientras está en los menús del dispositivo vuelve al menú anterior.



Pantalla
OLED



Perilla
LED

2.4 Pantalla

La pantalla del SD7 muestra información básica y una visualización sencilla del menú del dispositivo.

La pantalla de inicio muestra información sobre: fecha, hora, batería y señal.

En la pantalla de inicio, pulse la perilla para acceder al menú del dispositivo y navegar por el menú usando la perilla.

2.4.1 Disposición de la pantalla

Desde la barra de estado puede ver la hora, el estado de la batería, la red y las notificaciones.



- | | | | |
|---|------------------------|---|-----------------------|
| ❶ | Conectividad Bluetooth | ❸ | Señal de red y modo |
| ❷ | Conectividad Wi-Fi | ❹ | Porcentaje de batería |
| ❺ | Icono de batería | ❻ | Hora |
| | | ❼ | Fecha |

2.5 Configuración del botón S.O.S

Para utilizar el botón SOS deberá configurarlo la primera vez. Vaya a **Configuración > SOS button settings**.

Pulse el **SOS button action** y seleccione una opción:

- **PTT navigation**

En este modo, el botón SOS se asigna a la aplicación PTT (cuando se utiliza la aplicación que admite este botón).

- **Emergency message**

Establezca los números para SOS y el contenido de los mensajes de SMS.

Si elige introducir un número de emergencia, introdúzcalo en el siguiente campo.

Cuando sea necesario, mantenga pulsada la tecla SOS y el dispositivo llamará al número especificado.

2.6 Editar texto

Puede editar el texto que ha introducido.

Haga clic en el texto que desee editar; el texto seleccionado se resaltará en verde. Arrastre la ficha de resaltar para modificar el intervalo de selección. Un menú mostrará las opciones. Elija una de las opciones: **Cortar, Copiar, Compartir, Seleccionar todo**.

3 Resolución de problemas

Antes de ponerse en contacto con el centro de servicio, le recomendamos seguir las siguientes instrucciones:

- Cargue completamente la batería para que el funcionamiento sea óptimo.
- Evite almacenar grandes cantidades de datos en el dispositivo, ya que esto puede afectar su rendimiento.

Lleve a cabo las siguientes comprobaciones:

El dispositivo está bloqueado o no se puede encender

- Compruebe los contactos de la batería, extraiga y vuelva a instalar la batería, y después encienda el dispositivo
- Compruebe el nivel de carga de la batería y cárguela durante al menos 20 minutos

Mi dispositivo no responde desde hace varios minutos

- Reinicie el dispositivo manteniendo pulsada la tecla de encendido
- Extraiga la batería y vuelva a insertarla; a continuación, reinicie el dispositivo

El dispositivo no se puede cargar

- Asegúrese de que está utilizando la batería y el cargador de la caja
- Asegúrese de que la batería esté insertada correctamente y limpie el contacto de la batería si está sucio. Debe insertarse antes de

enchufar el cargador

- Asegúrese de que la batería no esté completamente descargada; si la batería estuvo vacía durante mucho tiempo, puede que el indicador de carga de la batería tarde unos 20 minutos en aparecer en la pantalla
- Asegúrese de que la carga se realiza en condiciones normales (de 0 °C a +40 °C)
- En el extranjero, verifique que la tensión de entrada sea compatible

Mi dispositivo no logra conectarse a una red

- Intente conectarse en otra ubicación
- Verifique la cobertura de la red con su operador
- Compruebe con su operador que su tarjeta SIM sea válida
- Intente conectarse más tarde si la red esté sobrecargada

Tarjeta SIM no válida

- Asegúrese de que la tarjeta SIM se haya insertado correctamente
- Asegúrese de que el chip de la tarjeta SIM no esté dañado ni rayado
- Asegúrese de que el servicio de la tarjeta SIM está disponible

No puedo utilizar las funciones descritas en el manual

- Consulte a su operador para asegurarse de que su suscripción incluye este servicio

- Asegúrese de que esta función no requiere un accesorio

Cómo hacer que la batería dure más tiempo

- Asegúrese de ceñirse a un tiempo de carga completo (mínimo 3 horas)
- Después de una carga parcial, es posible que la indicación de nivel de la batería no sea exacta. Espere al menos 20 minutos después de retirar el cargador para obtener una indicación exacta
- Desactive Bluetooth, Wi-Fi o GPS cuando no estén en uso

4 Seguridad en el uso

Le recomendamos que lea este capítulo detenidamente antes de utilizar el dispositivo. El fabricante rechaza toda responsabilidad por daños que puedan ocurrir a consecuencia de un uso inadecuado o contrario a las instrucciones aquí contenidas.

Seguridad en el tráfico

Dado que los estudios demuestran que el uso de un dispositivo móvil mientras se conduce un vehículo constituye un riesgo real, también cuando se utiliza el kit manos libres (kit para coche, auriculares...), se solicita a los conductores que se abstengan de utilizar su móvil cuando el vehículo no esté estacionado.

Al conducir, no utilice el dispositivo ni auriculares inalámbricos para escuchar música o radio. El uso de auriculares inalámbricos puede ser peligroso y está prohibido en algunos lugares.

Cuando está encendido, el dispositivo emite ondas electromagnéticas que pueden interferir con los sistemas electrónicos del vehículo, como los frenos antibloqueo ABS o los airbags. Para garantizar que no haya ningún problema:

- No coloque el dispositivo encima del tablero de instrumentos ni dentro de una zona de despliegue de airbag.

- Consulte a su concesionario de automóviles o al fabricante del automóvil para asegurarse de que el tablero de instrumentos esté adecuadamente protegido de la energía de RF del dispositivo móvil.

Condiciones de uso

Se recomienda apagar el dispositivo de vez en cuando para optimizar su rendimiento.

Apague el dispositivo antes de subir a un avión.

Apague el dispositivo cuando se encuentre en centros sanitarios, excepto en las zonas destinadas a ello. Al igual que con muchos otros tipos de equipos que son de uso común, los dispositivos móviles pueden interferir con otros dispositivos eléctricos o electrónicos, o con equipos que utilizan radiofrecuencias.

Apague el dispositivo cuando esté cerca de gases o líquidos inflamables. Respete estrictamente todas las señales e instrucciones existentes en depósitos de combustible, gasolineras o plantas químicas, o en cualquier atmósfera potencialmente explosiva.

Cuando el dispositivo esté encendido debe mantenerse a no menos de 15 cm de cualquier dispositivo médico, tal como marcapasos, audífono, bomba de insulina, etc.

No permita que los niños utilicen el dispositivo ni jueguen con él, ni con los accesorios, sin que

estén supervisados.

Al restituir la cubierta, tenga en cuenta que el dispositivo puede contener sustancias que podrían provocar una reacción alérgica.

Manipule siempre el dispositivo con cuidado y manténgalo en un lugar limpio y libre de polvo.

No exponga el dispositivo a condiciones meteorológicas o ambientales adversas (humedad, lluvia, infiltración de líquidos, polvo, aire de mar, etc). El intervalo de temperaturas de trabajo recomendado por el fabricante es de -20 °C a +60 °C, humedad 20% a 90%.

A más de 60 °C puede disminuir la legibilidad de la pantalla del dispositivo, aunque esto es temporal y no es grave.

Es posible que no se pueda acceder a los números de llamada de emergencia en todas las redes móviles. Nunca confíe únicamente en su dispositivo para realizar llamadas de emergencia.

No abra, desmonte ni intente reparar su dispositivo móvil usted mismo.

No deje caer, arroje ni doble el dispositivo móvil.

Para evitar las lesiones, no utilice el dispositivo si la pantalla de cristal está dañada, agrietada o rota.

No lo pinte.

Utilice únicamente baterías, cargadores de batería y accesorios recomendados para su

modelo de dispositivo. Recuerde realizar copias de seguridad o mantener un registro escrito de toda la información importante almacenada en el dispositivo.

Algunas personas pueden sufrir ataques epilépticos o desmayos cuando se ven expuestas a luces parpadeantes o al jugar a videojuegos. Estas convulsiones o desmayos pueden ocurrir incluso si una persona nunca tuvo una convulsión o desmayo previo. Si ha sufrido ataques epilépticos o desmayos, o si tiene un historial familiar de sucesos tales, consulte a su médico antes de jugar a videojuegos en su dispositivo o de activar una función de luces parpadeantes en su dispositivo.

Los padres deben supervisar el uso de los juegos de video u otras funciones que incorporan luces parpadeantes en los dispositivos. Toda persona debe interrumpir el uso y consultar a un médico si presenta alguno de los siguientes síntomas: convulsión, espasmos oculares o musculares, pérdida del conocimiento, movimientos involuntarios o desorientación. Para limitar la probabilidad de estos síntomas, adopte las siguientes precauciones de seguridad:

- No juegue ni utilice la función de luces parpadeantes si está cansado o necesita dormir.
- Tómese un descanso mínimo de 15 minutos cada hora.

Instrucciones de seguridad para baterías de litio

Advertencia!

Una sustitución incorrecta de la batería puede provocar una explosión. Sustituya la batería solo por una similar o equivalente. Antes de extraer la batería del dispositivo, asegúrese de que esté apagado. Siga estas instrucciones:

- No intente abrir la batería (por el riesgo de humos tóxicos y quemaduras).
- No perfore, desarme ni cortocircuite la batería.
- No queme ni deseche una batería usada en la basura doméstica, ni la almacene a temperaturas superiores a 60 °C.
- No exponga la batería ni su carcasa a fuentes de calor intenso como: Luz, sol, fuego, etc.

Las baterías se deben desechar de acuerdo con las normativas medioambientales vigentes en el lugar. Utilice la batería únicamente para el propósito para el que fue diseñada. No utilice jamás baterías averiadas.

Este símbolo en el dispositivo, la batería y los accesorios significa que estos productos deben llevarse a los puntos de recolección al final de su vida útil:

- Centros municipales de eliminación de residuos con recipientes específicos para estos equipos

- Recipientes de recolección en los puntos de venta.

A continuación serán reciclados, evitando así que se desechen sustancias en el medio ambiente y para que sus componentes se puedan reutilizar.

En los países de la Unión Europea:

Estos puntos de recolección son accesibles de forma gratuita.

Todos los productos con este símbolo deben ser traídos a estos puntos de recolección.

En jurisdicciones no pertenecientes a la Unión Europea:

Los elementos de equipo con este símbolo no se deben arrojar en los recipientes corrientes si en su jurisdicción o región se cuenta con instalaciones de reciclaje y recolección adecuadas; en lugar de ello, se deben llevar a los puntos de recolección para que sean reciclados.

PRECAUCIÓN: RIESGO DE EXPLOSIÓN SI LA BATERÍA SE SUSTITUYE POR UNA DE TIPO INCORRECTO. DESECHE LAS BATERÍAS USADAS SEGÚN LAS INSTRUCCIONES.

Instrucciones de seguridad del cargador

- El equipo deberá conectarse a una toma de corriente cercana y fácilmente accesible.
- Evite la penetración de agua o humedad.
- Mantenga los equipos alejados de temperaturas extremas, tales como las producidas por radiadores, estufas o lugares expuestos a la luz solar directa.
- Mantenga los equipos alejados de velas, cigarrillos y cigarrillos encendidos, no los exponga al fuego, etc.
- Proteja el cargador de objetos que caen o de salpicaduras de líquido, incluyendo ácidos.
- Asegúrese de que el nivel de tensión de la fuente de alimentación es compatible con el indicado en el cargador
- Para reducir el riesgo de averías al cable eléctrico, no desconecte el cargador de la toma tirando del cable. Sujete el cargador mismo y tire de él para extraerlo de la toma.
- Asegúrese de que el cable esté tendido de tal manera que se evite el riesgo de que alguien lo pise o se caiga sobre él.
- Advertencia: No reemplace jamás el cable o el enchufe por piezas no originales. Una conexión defectuosa crea un riesgo de electrocución.

- Cuando utilice un cable de alargue, asegúrese de que el conductor de alargue no esté defectuoso.
- Sólo para uso en interiores. No exponer al sol, a la lluvia, etc.
- Asegúrese de mantener el dispositivo extraíble encendido y listo para su uso.

Protección contra robo

El dispositivo se identifica mediante un IMEI (número de serie del dispositivo) indicado en la etiqueta de embalaje y en la memoria del dispositivo. Le recomendamos que anote el número la primera vez que utilice el dispositivo y lo guarde en un lugar seguro. Puede que la policía o el operador lo soliciten si le roban el dispositivo. Este número permite bloquear el dispositivo móvil para evitar que una tercera persona lo utilice, incluso con una tarjeta SIM diferente.

Descargos de responsabilidad

Pueden existir ciertas diferencias entre la descripción en el manual del usuario y el funcionamiento de hecho del dispositivo, dependiendo de la versión de software del dispositivo o de los servicios específicos del operador.

Advertencia: El fabricante rechaza toda responsabilidad por daños que puedan producirse a consecuencia de un uso inadecuado de este dispositivo, o contrario a las instrucciones aquí contenidas.



© 2021 Siyata Mobile Inc.
All rights reserved

NA Edition

www.siyatamobile.com